

TC 型磁环线圈 TC TYPE TOROIDAL COILS

• 订货代码 HOW TO ORDER

• 举例 FOR EXAMPLE

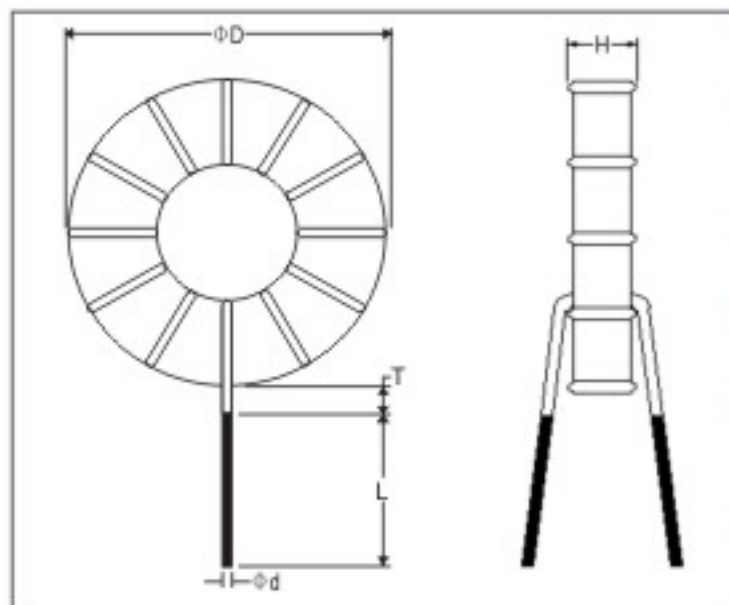


| | | | | | | | |
|----|----|----|---|-----|---|---|----|
| TC | 50 | 26 | — | 300 | K | — | 2A |
| ↓ | ↓ | ↓ | | ↓ | ↓ | | ↓ |
| A | B | C | | D | E | | F |

| 项目 Item | 代码 Code | 描述 Description |
|------------|------------|---|
| A | TC | 磁环线圈 Toroidal coil |
| B | 50 | 磁芯外径 Core outer diameter 0.5inch |
| C | 26 | 磁芯材质 Core material |
| D | 300 | 标称电感量 Nominal inductance |
| E | K | 电感偏差 Tolerance J: ±5%; K: ±10%; M: ±20%; |
| F | 2A | 额定电流 Rated current |

• 构造(外形及尺寸) STRUCTURE(EXTERNAL DIMENSIONS)

| 尺寸 Dimensions (mm) | |
|-----------------------|----------|
| ΦD | 6.0-42.5 |
| H | 2.5-21.5 |
| Φd | 0.12-2.0 |
| L | 8.0(min) |
| T | 2.0(min) |



• 性能参数及测试条件

ELECTRICAL CHARACTERISTICS & TEST CONDITIONS

| 产品型号 Part NO. | 标称电感量 Nominal Inductance (μH) | 误差 Tolerance | 直流电阻 RDC (Ω) max | 额定电流 Rated current IDC(A)max | 尺寸 Dimension ΦD×H (mm) | |
|--------------------------------|-------------------------------------|-----------------|------------------------|------------------------------------|------------------------------|-----------|
| TC2026-5R0-0.5A | 5.0 | M: ±20% | 0.30 | 0.5 | 6.0×3.0 | |
| TC2026-8R2-2A | 8.2 | | 0.65 | 2.0 | 12.0×5.0 | |
| TC2026-9R0-0.3A | 9.0 | | 0.25 | 0.3 | 6.0×2.5 | |
| TC3026-100-2A | 10.0 | | 0.65 | 2.0 | 10.5×5.5 | |
| TC3026-120-1A | 12.0 | | 0.45 | 1.0 | 9.5×5.0 | |
| TC2026-150-0.5A | 15.0 | | 0.30 | 0.5 | 6.0×3.0 | |
| TC4426-150-0.5A | 15.0 | | 0.65 | 2.0 | 13.0×6.0 | |
| TC2026-200-0.2A | 20.0 | | 0.20 | 0.2 | 6.0×2.5 | |
| TC5026-200-3A | 20.0 | | 0.80 | 3.0 | 15.0×7.0 | |
| TC3726-220-2A | 22.0 | | 0.65 | 2.0 | 12.0×6.0 | |
| TC6026-220-5A | 22.0 | | 1.00 | 5.0 | 18.0×10.0 | |
| TC3726-240-1A | 24.0 | | 0.45 | 1.0 | 11.0×5.0 | |
| TC6826-250-5A | 25.0 | | 1.00 | 5.0 | 21.0×8.0 | |
| TC2026-270-0.1A | 27.0 | | 0.14 | 0.1 | 6.0×2.5 | |
| TC2026-270-0.3A | 27.0 | | K: ±10% | 0.25 | 0.3 | 6.0×3.0 |
| TC6026-290-4A | 29.0 | | | 0.90 | 4.0 | 18.0×10.0 |
| TC5026-300-2A | 30.0 | | 0.65 | 2.0 | 15.0×7.0 | |
| TC10626-300-10A | 30.0 | | 1.60 | 10.0 | 34.0×17.0 | |
| TC3026-320-1A | 32.0 | | 0.45 | 1.0 | 9.5×5.5 | |
| TC6826-320-4A | 32.0 | | 0.90 | 4.0 | 21.0×8.0 | |
| TC6026-350-3A | 35.0 | J: ±5% | 0.80 | 3.0 | 18.0×9.0 | |
| TC10626-350-10A | 35.0 | | 1.60 | 10.0 | 34.0×17.0 | |
| TC3026-350-0.5A | 35.0 | 0.30 | 0.5 | 9.0×4.5 | | |
| TC4426-430-1A | 43.0 | 0.45 | 1.0 | 13.0×5.5 | | |
| TC6826-430-3A | 43.0 | 0.80 | 3.0 | 21.0×8.0 | | |
| TC8026-500-5A | 50.0 | 1.00 | 5.0 | 24.0×10.0 | | |
| TC3726-560-0.5A | 56.0 | 0.30 | 0.5 | 11.0×5.0 | | |
| TC10626-560-7A | 56.0 | 1.20 | 7.0 | 33.0×16.0 | | |
| TC6026-580-2A | 58.0 | 0.65 | 2.0 | 17.0×8.0 | | |
| 环境温度 Ambient temperature | 18~25°C | | | | | |
| 环境湿度 Ambient humidity | 45%-75% | | | | | |

#特殊要求的产品可以根据客户要求生产
The products can be customized according to customer requirement.